













2

Profiles for design flooring

Profiles, stair nosings, skirting rails, underlays for design flooring

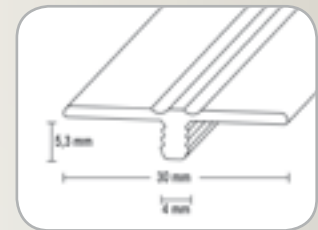
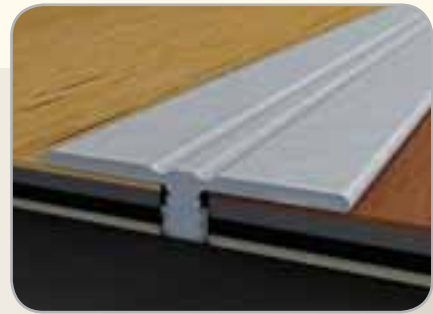
<p>Profiles</p> <p>Separation strip 5 mm</p>  <p>page 57</p>	<p>Separation strips 2,8 mm 4,8 mm</p>  <p>page 57</p>
<p>Transition strip 3 mm</p>  <p>58</p>	<p>Border profiles 3 mm 5,5 mm</p>  <p>59</p>
<p>Border profile 2,8 mm</p>  <p>58</p>	<p>Border profiles 3 mm 5 mm</p>  <p>60</p>
<p>Stair nosings</p> <p>Stair nosing 3 x 46 / 26 mm 5,5 x 48,5 / 28,5 mm</p>  <p>61</p>	<p>Stair nosing - inner angle - 3 x 25 / 25 mm 5,5 x 25 / 25 mm</p>  <p>62</p>
<p>Stair nosing anti-slip 3 x 46 / 26 mm 5,5 x 48,5 / 28,5 mm</p>  <p>63</p>	<p>Skirting rails</p> <p>Plastic skirting rail Design 55</p>  <p>64</p>
<p>Skirting rails</p> <p>Aluminium skirting rail Design 40 Design 60</p>  <p>66</p>	<p>MDF Clip-on skirting rail Design 58-S Design 58-L</p>  <p>64 65</p>
<p>Underlays for installation of design flooring • Designlay • Designclick</p> <p>67</p>	

Separation strip 5 mm

hard aluminium, anodised or with fundesign coating in high quality wood decors. 2/3 of gap gets filled with silicon.

Lay the profile down so that it gets fixed by the silicon.

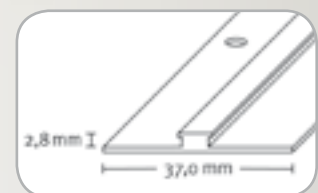
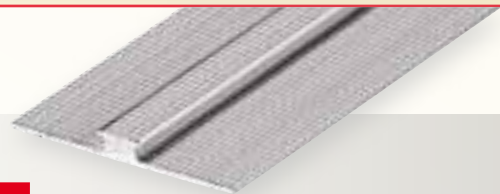
Colour	Length cm	Pack-aging	Article No.	Sales unit each	EAN Code 400 5143...	Price (Euro)
stainless steel design	100	SB	5510 80	10	5510 0 2	
stainless steel design	270	loose	5518 00	10	5518 0 4	
silver	100	SB	5511 80	10	5511 0 1	
silver	270	loose	5519 00	10	5519 0 3	
gold	100	SB	5512 80	10	5512 0 0	
gold	270	loose	5520 00	10	5520 0 9	
sand	100	SB	5513 80	10	5513 0 9	
sand	270	loose	5521 00	10	5521 0 8	
bronze	100	SB	5514 80	10	5514 0 8	
bronze	270	loose	5522 00	10	5522 0 7	
maple	100	SB	5515 80	10	5515 0 7	
maple	270	loose	5523 00	10	5523 0 6	
beech	100	SB	5516 80	10	5516 0 6	
beech	270	loose	5524 00	10	5524 0 5	



Separation strip 2,8 mm

hard aluminium, anodised, countersunk drilled

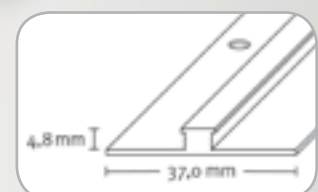
Colour	Length cm	Pack-aging	Article No.	Sales unit each	EAN Code 400 5143...	Price (Euro)
silver	250	loose	5878 00	1	5878 0 3	
silver	500	loose	5166 00	1	5166 0 5	
gold	500	loose	5167 00	1	5167 0 4	
bronze	500	loose	5168 00	1	5168 0 3	



Separation strip 4,8 mm

hard aluminium, anodised, countersunk drilled

Colour	Length cm	Pack-aging	Article No.	Sales unit each	EAN Code 400 5143...	Price (Euro)
silver	250	loose	5879 00	1	5879 0 2	
silver	500	loose	5169 00	1	5169 0 2	
gold	500	loose	5170 00	1	5170 0 8	
bronze	500	loose	5171 00	1	5171 0 7	



Transition strip 3 mm

hard aluminium, anodised or with fundesign coating in high quality wood decors, floors up to 3 mm



Colour	Length cm	Pack-aging	Article No.	Sales unit each	EAN Code 400 5143...	Price (Euro)
stainless steel design	100	SB	5410 80	10	5410 03	
stainless steel design	270	loose	5418 00	10	5418 05	
silver	100	SB	5411 80	10	5411 02	
silver	270	loose	5419 00	10	5419 04	
gold	100	SB	5412 80	10	5412 01	
gold	270	loose	5420 00	10	5420 00	
sand	100	SB	5413 80	10	5413 00	
sand	270	loose	5421 00	10	5421 09	
bronze	100	SB	5414 80	10	5414 09	
bronze	270	loose	5422 00	10	5422 08	
maple	100	SB	5415 80	10	5415 08	
maple	270	loose	5423 00	10	5423 07	
beech	100	SB	5416 80	10	5416 07	
beech	270	loose	5424 00	10	5424 06	

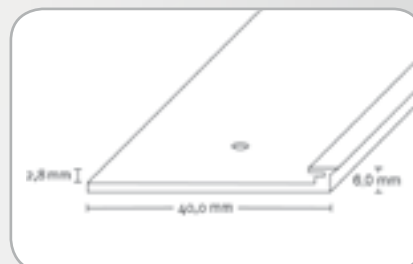


Border profile 2,8 mm

hard aluminium, anodised, countersunk drilled, total height: 6mm



Colour	Length cm	Pack-aging	Article No.	Sales unit each	EAN Code 400 5143...	Price (Euro)
silver	250	loose	5880 00	1	5880 08	
silver	500	loose	5163 00	1	5163 08	
gold	500	loose	5164 00	1	5164 07	
bronze	500	loose	5165 00	1	5165 06	



Border profile 3 mm

hard aluminium, anodised or with fundesign coating in high quality wood decors, floors up to 3 mm

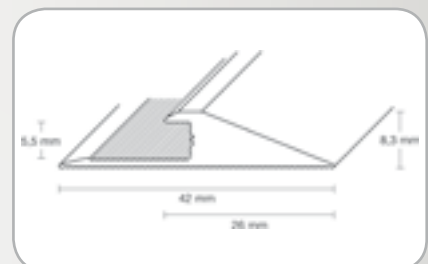
Colour	Length cm	Pack-aging	Article No.	Sales unit each	EAN Code 400 5143...	Price (Euro)
stainless steel design	100	SB	5540 80	10	5540 0 3	
stainless steel design	270	loose	5548 00	10	5548 0 5	
silver	100	SB	5541 80	10	5541 0 1	
silver	270	loose	5549 00	10	5549 0 4	
gold	100	SB	5542 80	10	5542 0 1	
gold	270	loose	5550 00	10	5550 0 0	
sand	100	SB	5543 80	10	5543 0 0	
sand	270	loose	5551 00	10	5551 0 9	
bronze	100	SB	5544 80	10	5544 0 8	
bronze	270	loose	5552 00	10	5552 0 8	
maple	100	SB	5545 80	10	5545 0 8	
maple	270	loose	5553 00	10	5553 0 7	
beech	100	SB	5546 80	10	5546 0 7	
beech	270	loose	5554 00	10	5554 0 6	



Border profile 5,5 mm

hard aluminium, anodised, floors up to 5,5 mm

Colour	Length cm	Pack-aging	Article No.	Sales unit each	EAN Code 400 5143...	Price (Euro)
stainless steel design	100	SB	5505 00	10	5505 0	
stainless steel design	270	loose	5555 00	10	5555 0 5	
silver	100	SB	5506 00	10	5506 0 9	
silver	270	loose	5556 00	10	5556 0 4	
gold	100	SB	5507 00	10	5507 0 8	
gold	270	loose	5557 00	10	5557 0 3	
sand	100	SB	5508 00	10	5508 0 7	
sand	270	loose	5538 00	10	5558 0 2	

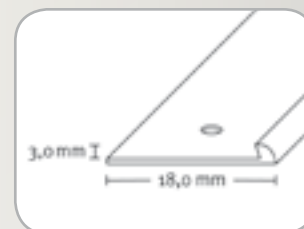


Border profile 3 mm

hard aluminium, anodised or polished,
countersunk drilled



Colour	Length cm	Pack-aging	Article No.	Sales unit each	EAN Code 400 5143...	Price (Euro)
silver	250	loose	5881 00	1	5881 0 7	
polished	250	loose	5882 00	1	5882 0 6	
polished	500	loose	5160 00	1	5160 0 1	

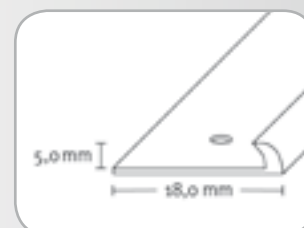


Border profile 5 mm

hard aluminium, anodised or polished,
countersunk drilled



Colour	Length cm	Pack-aging	Article No.	Sales unit each	EAN Code 400 5143...	Price (Euro)
silver	250	loose	5883 00	1	5883 0 5	
polished	250	loose	5884 00	1	5884 0 4	
polished	500	loose	5162 00	1	5162 0 9	

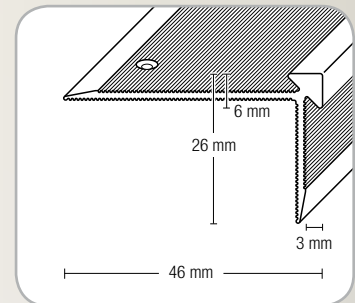


Stair nosing 3 x 46/26 mm

hard aluminium, anodised, drilled,
with 6 mm visible surfaces, suitable for floors up to 3 mm



Colour	Length cm	Pack-aging	Article No.	Sales unit each	EAN Code 400 5143...	Price (Euro)
stainless steel design	270	loose	5525 00	10	5525 0 4	
stainless steel design	500	loose	5525 05	1	5525 5 9	
silver	270	loose	5526 00	10	5526 0 3	
silver	500	loose	5526 05	1	5526 5 8	
gold	270	loose	5527 00	10	5527 0 2	
gold	500	loose	5527 05	1	5527 5 7	
sand	270	loose	5528 00	10	5528 0 1	
sand	500	loose	5528 05	1	5528 5 6	

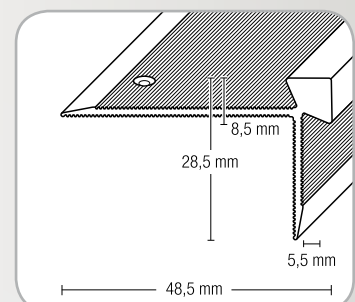


Stair nosing 5,5 x 48,5/28,5 mm

hard aluminium, anodised, drilled,
with 8,5 mm visible surfaces, suitable for floors up to 5,5 mm



Colour	Length cm	Pack-aging	Article No.	Sales unit each	EAN Code 400 5143...	Price (Euro)
stainless steel design	270	loose	5572 00	10	5572 0 2	
stainless steel design	500	loose	5572 05	1	5572 5 7	
silver	270	loose	5573 00	10	5573 0 1	
silver	500	loose	5573 05	1	5573 5 6	
gold	270	loose	5574 00	10	5574 0 0	
gold	500	loose	5574 05	1	5574 5 5	
sand	270	loose	5575 00	10	5575 0 9	
sand	500	loose	5575 05	1	5575 5 4	

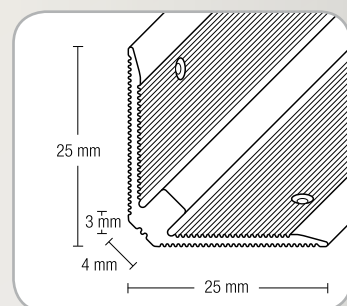


Stair nosing - inner angle profile 3 x 25/25 mm

hard aluminium, anodised, drilled, with 4 mm visible surfaces, suitable for floors up to 3 mm interior angle profile for renovation



Colour	Length cm	Pack-aging	Article No.	Sales unit each	EAN Code 400 5143...	Price (Euro)
stainless steel design	270	loose	5568 00	10	5568 0 9	
stainless steel design	500	loose	5568 05	1	5568 5 4	
silver	270	loose	5569 00	10	5569 0 8	
silver	500	loose	5569 05	1	5569 5 3	
gold	270	loose	5570 00	10	5570 0 4	
gold	500	loose	5570 05	1	5570 5 9	
sand	270	loose	5571 00	10	5571 0 3	
sand	500	loose	5571 05	1	5571 5 8	

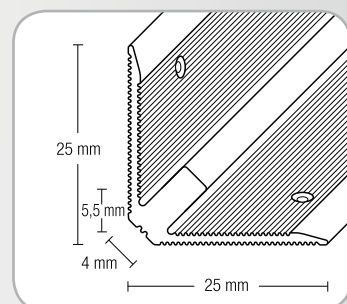


Stair nosing - inner angle profile 5,5 x 25/25 mm

hard aluminium, anodised, drilled, with 4 mm visible surfaces, suitable for floors up to 5,5 mm interior angle profile for renovation



Colour	Length cm	Pack-aging	Article No.	Sales unit each	EAN Code 400 5143...	Price (Euro)
stainless steel design	270	loose	5560 00	10	5560 0 7	
stainless steel design	500	loose	5560 05	1	5560 5 2	
silver	270	loose	5561 00	10	5561 0 6	
silver	500	loose	5561 05	1	5561 5 1	
gold	270	loose	5562 00	10	5562 0 5	
gold	500	loose	5562 05	1	5562 5 0	
sand	270	loose	5563 00	10	5563 0 4	
sand	500	loose	5563 05	1	5563 5 9	



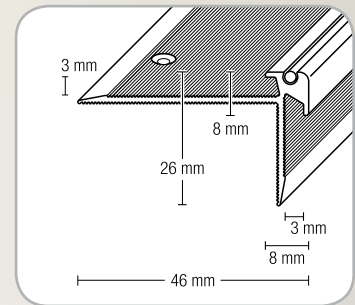
Stair nosing anti-slip 3 x 46/26 mm

hard aluminium, anodised, drilled,
insert strip with black anti-slip-string and 8 mm visible surfaces,
suitable for floors up to 3 mm

is delivered without string - please order separately



Colour	Length cm	Pack-aging	Article No.	Sales unit each	EAN Code 400 5143...	Price (Euro)
stainless steel design	270	loose	5425 00	10	5425 0 5	
stainless steel design	500	loose	5425 05	1	5425 5 0	
silver	270	loose	5426 00	10	5426 0 4	
silver	500	loose	5426 05	1	5426 5 9	
gold	270	loose	5427 00	10	5427 0 3	
gold	500	loose	5427 05	1	5427 5 8	
sand	270	loose	5428 00	10	5428 0 2	
sand	500	loose	5428 05	1	5428 5 7	
string to be ordered separately:						
black	300	loose	1688 01	1	1688 1 1	
black	3000	loose	1688 02	1	1688 2 8	



profiles design flooring

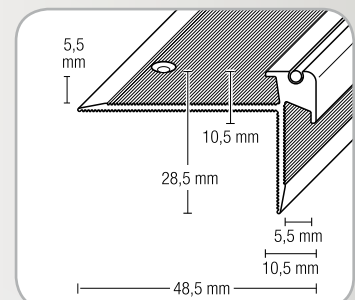
Stair nosing anti-slip 5,5 x 48,5/28,5 mm

hard aluminium, anodised, drilled,
insert strip with black anti-slip-string and 10,5 mm visible surfaces,
suitable for floors up to 5,5 mm

is delivered without string - please order separately

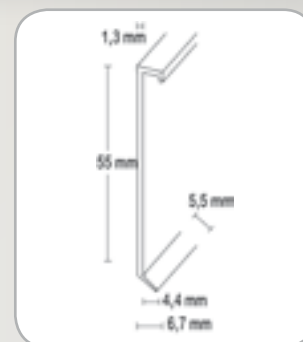


Colour	Length cm	Pack-aging	Article No.	Sales unit each	EAN Code 400 5143...	Price (Euro)
stainless steel design	270	loose	5564 00	10	5564 0 3	
stainless steel design	500	loose	5564 05	1	5564 5 8	
silver	270	loose	5565 00	10	5565 0 2	
silver	500	loose	5565 05	1	5565 5 7	
gold	270	loose	5566 00	10	5566 0 1	
gold	500	loose	5566 05	1	5566 5 6	
sand	270	loose	5567 00	10	5567 0 0	
sand	500	loose	5567 05	1	5567 5 5	
string to be ordered separately:						
black	300	loose	1688 01	1	1688 1 1	
black	3000	loose	1688 02	1	1688 2 8	



Design 55 skirting rail

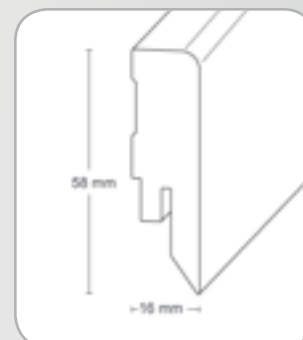
plastics, height: 55 mm,
insert skirting rail for design flooring



Colour	Height mm	Length cm	Article No.	Sales unit each	EAN Code 400 5143...	Price (Euro)
metallic silver	55	250	1075 06	20	1075 6 8	
white	55	250	1075 01	20	1075 1 3	
grey	55	250	1075 02	20	1075 2 0	
anthracite	55	250	1075 04	20	1075 4 4	
brown	55	250	1075 05	20	1075 5 1	

Design 58-S clip-on skirting rail

MDF-core, with high-quality film cover and structured surface accessories and fitting clips suitable for clip-on skirting rails
Design 58 • 58-S • 58-L separately available, see page 79



Colour	Height mm	Length cm	Article No.	Sales unit each	EAN Code 400 5143...	Price (Euro)
pine	58	250	1493 02	10	1493 2 2	
almond	58	250	1493 04	10	1493 4 6	
cappuccino	58	250	1493 05	10	1493 5 3	
mocca	58	250	1493 06	10	1493 6 0	

Design 58-L clip-on skirting rail

MDF-core, with high-quality film cover, accessories and fitting clips suitable for clip-on skirting rails, Design 58 • 58-S • 58-L separately available, see page 79



Colour	Height mm	Length cm	Article No.	Sales unit each	EAN Code 400 5143...	Price (Euro)
white/varnishing foil	58	250	1493 10	10	1493 9 1	
silver aluminium	58	250	1493 30	10	5555 0 5	

Fitting clips

for clip-on skirting rails Design 58, Design 58-S, Design 58-L



Type	Artikel Nummer	VE Stück	EAN Code 400 5143...	Preis (Euro)
Fitting clips (green) for clip-on skirting rails Design 58 • Design 58-S • Design 58-L				
individually packed - green, 20 pcs.	8625 01	10	8625 1 1	
loose - green	8626 01	50	8626 1 0	
individually packed - complete set -green (30 clips, screws 3,5 x 25mm, plugs 6 mm)	8628 01	5	8628 1 8	
Universal clips (black) for all Repac clip-on skirting rails, Weimarer and Hamburger skirting rails with bevel				
individually packed - black, 20 pcs.	8625 05	10	8625 5 9	
loose - black	8626 05	50	8626 5 8	
individually packed - complete set -black (30 clips, screws 3,5 x 25 mm, plugs 6 mm)	8628 05	5	8628 5 6	

Design 40 Aluminium skirting rail

solid aluminium, not drilled, height 40 mm

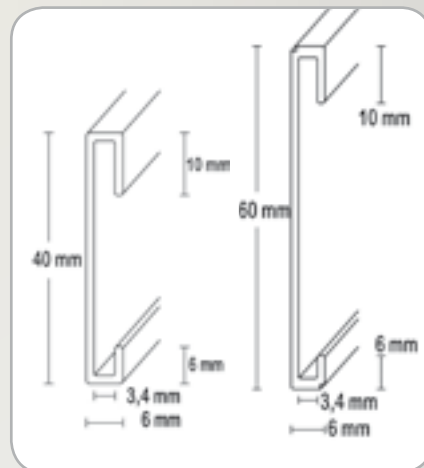
Colour	Height mm	Length cm	Article No.	Sales unit each	EAN Code 400 5143...	Price (Euro)
stainless steel design	40	250	3648 01	1	3648 1 7	
silver	40	250	3649 01	1	3649 1 6	



Design 60 Aluminium skirting rail

solid aluminium, not drilled, height 60 mm
integrated shadow gap

Colour	Height mm	Length cm	Article No.	Sales unit each	EAN Code 400 5143...	Price (Euro)
stainless steel design	60	250	3660 01	1	3660 1 9	
silver	60	250	3661 01	1	3661 1 8	



More aluminium skirting rails

40 -110 mm see
chapter aluminium skirting rails
page 105




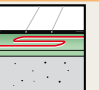
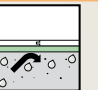
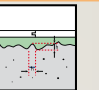
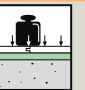


Designlay 2,1mm

comfort- and acoustic underlay on rolls especially for glued installation of vinyl-design flooring.

material: PU acoustic underlay 1 to/m³, self-adhesive, fire classification Bfl-s1 according to DIN EN 13501-1



Designlay 2,1mm	comfort- and acoustic underlay on rolls especially for glued installation of vinyl-design flooring. material: PU acoustic underlay, self-adhesive, release-foil, high-density, refined polyurethane insulation foam with mineral additives, fire classification Bfl-s1 according to DIN EN 13501-1						
	footfall sound insulation	impact sound insulation	thermal insulation	suitability for underfloor heating	moisture protection	compensation for unevenness	durability
	 ☆☆☆☆☆ depends on flooring	 ★★★★☆ 17 db	 ☆☆☆☆☆	 ★★★★☆ 0,05 m ² K/W	 ☆☆☆☆☆	 ★★★★☆	 ★★★★☆
Article-No.	Width cm	Length m	Thickness mm	Sales unit each (VE)			
7442 50	100,0	8,0	2,1	Packaging	m²		
				40 rolls à 8,0 m ²	320,0		


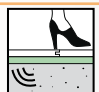
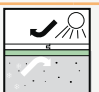
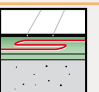

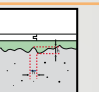
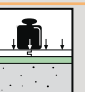
profiles design flooring

Designclick 1,6mm

acoustic underlay for floating installation of PVC-click systems and other click-design flooring.

on the top lightly adhesive. material: PU/mineral 1 to/m³, fire classification EFL according to EN ISO 11925-1 (formerly known as B2 according to DIN 4102



Designclick 1,6mm	acoustic underlay for floating installation of PVC-click systems and other click-design flooring. material: PU acoustic underlay with one-side silicon foil, high-density, refined polyurethane insulation foam with mineral additives, fire classification EFL according to EN ISO 11925-1 (formerly known as B2 according to DIN 4102)						
	footfall sound insulation	impact sound insulation	thermal insulation	suitability for underfloor heating	moisture protection	compensation for unevenness	durability
	 ☆☆☆☆☆ 6 %	 ★★★★☆ 11 db	 ☆☆☆☆☆	 ★★★★☆ 0,03 m ² K/W	 ☆☆☆☆☆	 ★★★★☆	 ★★★★☆
Article-No.	Width cm	Length m	Thickness mm	Sales unit each (VE)			
7442 60	100,0	8,5	1,6	Packaging	m²		
				40 rolls à 8,5 m ²	340,0		